



# HP Webcam

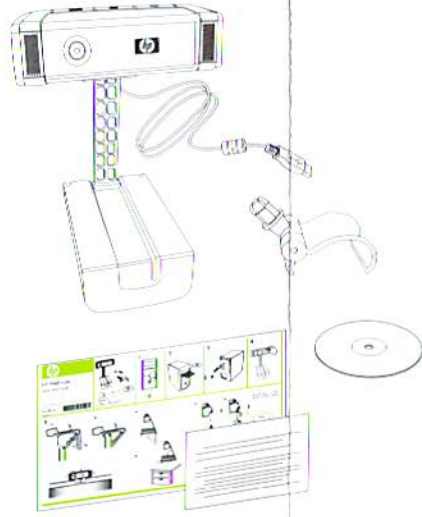
## Quick Start Guide

Copyright © 2008 Hewlett-Packard Development Company, L.P.

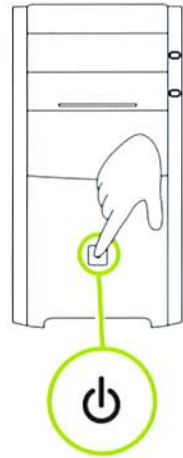
Printed in China

[www.hp.com](http://www.hp.com)

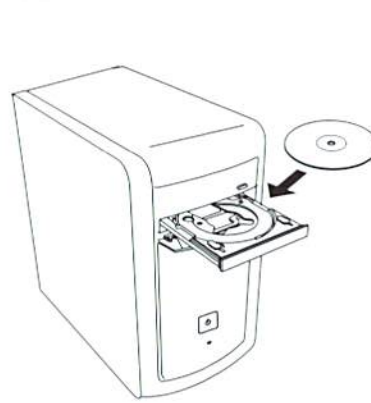
Version 1.0



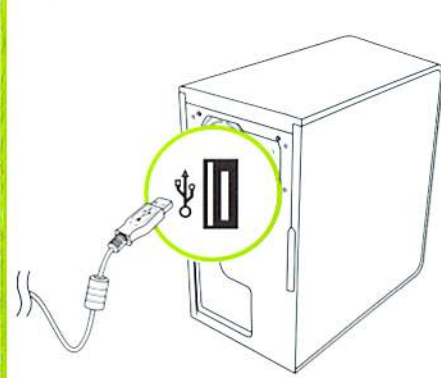
1



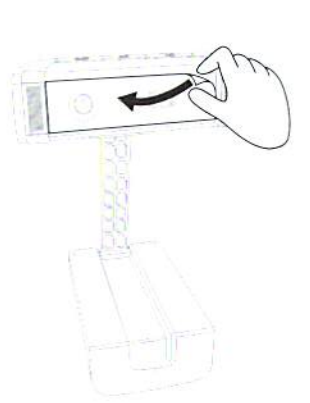
2



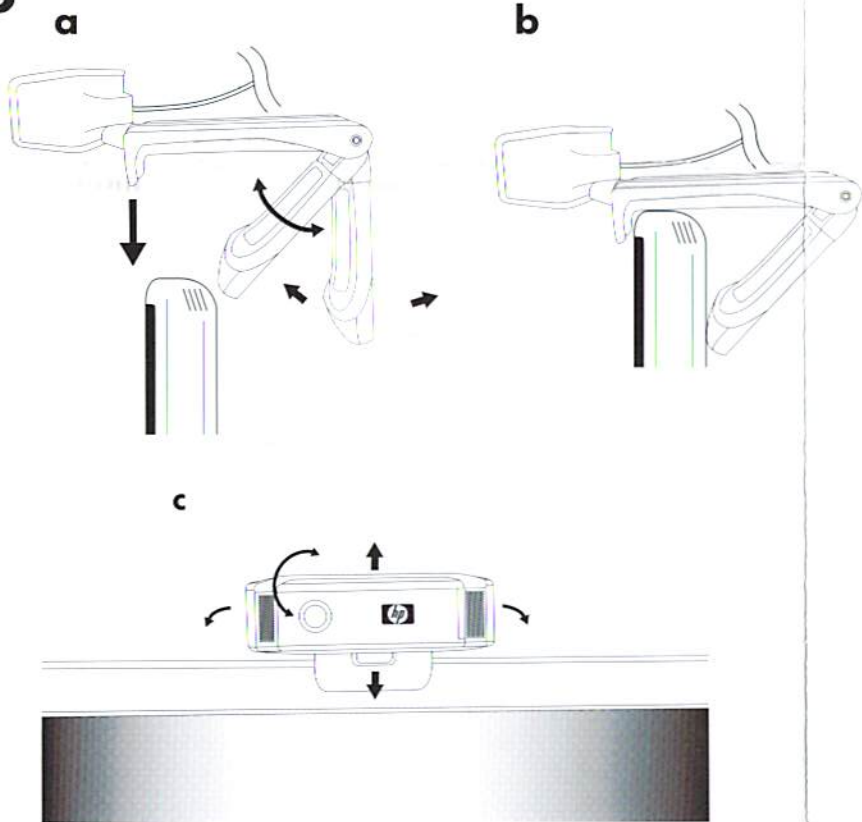
3



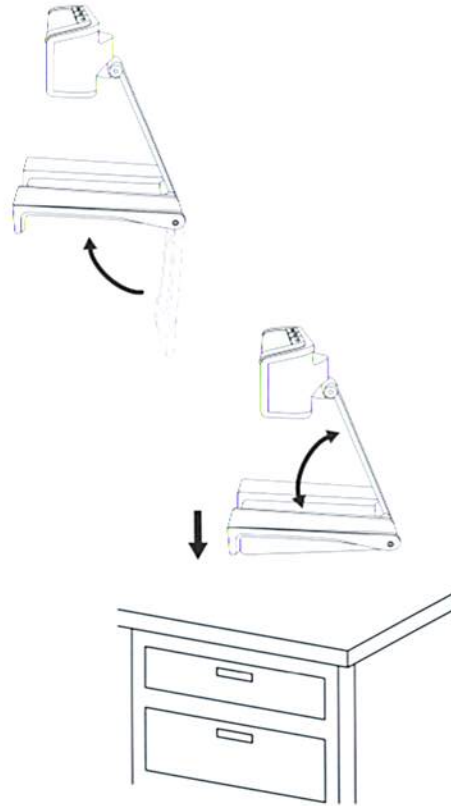
4



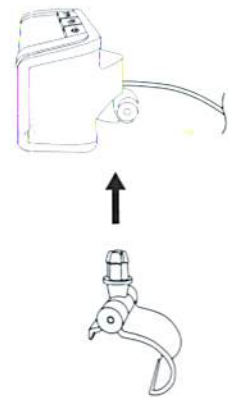
5



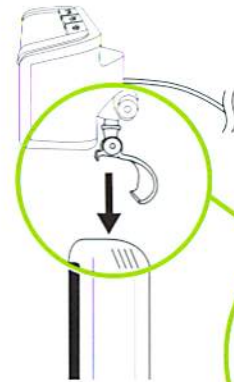
a



a

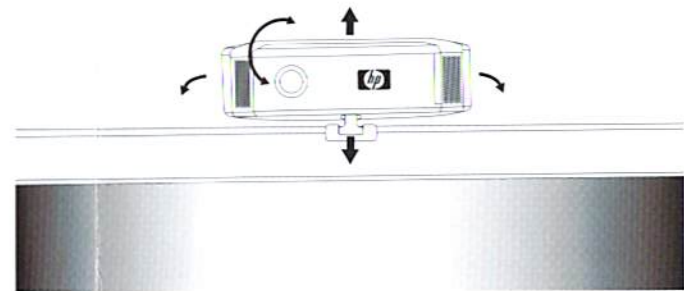


b



HP vp15, vp17, w1907,  
w2007, w2207, w2408

c





# DECLARATION OF CONFORMITY

according to ISO/IEC 17050-1 and EN 17050-1

**Distributor Name:** Hewlett-Packard Company  
**Distributor Address:** Hewlett-Packard Company  
10955 Tantau Ave  
Cupertino, CA 95014

**declares, that the product(s)**

**Product:** Web Camera  
**Model Number(s):** GX607AA#XXX  
WN4300R  
**Product Options:** All

**conforms to the following Product Specifications:**

**EMC:** CISPR 22: 1997 / EN 55022: 1998 +A1:2000 +A2:2003, Class B  
CISPR 24: 1997 / EN 55024:+1998 +A1:2001 +A2:2003  
FCC Title 47 CFR, Part 15 Class B / ICES-003  
AS/NZ CISPR 22: 2005

**Supplementary Information:**

The product herewith complies with the requirements of the Low Voltage Directive 2006/95/EC, the EMC Directive 2004/108/EEC and carries the "CE Marking" accordingly.

This device complies with Part 15 of FCC rules. Operation is subject to the following two conditions: (1) this device may not cause harmful interference, and (2) this device must accept any interference received, including interference that may cause undesired operation.

Cupertino, CA USA      November 16, 2007

**For regulatory compliance information only, contact:**

Australia Contact: Product Regulations Manager, Hewlett-Packard Australia Pty Ltd., 31-41 Joseph Street, Blackburn, Victoria 3130

European Contact: Hewlett-Packard GmbH, HQ-TRE, Herrenberger Straße 140, 71034 Böblingen, Germany

North America Contact: Hardware Quality Eng. Manager, Hewlett-Packard, CPC, 10955 Tantau Ave., Cupertino, CA 95014